

Country of Origin : China
 Operating Temperature : 0~40 [°C]
 Dimension : 65 x 45 x 30 [mm]
 Certified AC Plugs: EU, UK, USA/Japan, Aus, China, Korea
 Efficiency level (ErP) : VI

Approvals / Marks :



Specifications

Model	Voltage DC [V]	Loading [A]	Max. Power [W]	Ripple / Noise [mV] p-p	Connector [mm]
SYS1561-1105-Wxx*	5	0~2.1	10.5	200	2.1x5.5x11
SYS1561-1105-Wxx*	5	0~2.1	10.5	200	micro USB
SYS1561-1105-Wxx*	5	0~2.1	10.5	200	USB-C
SYS1561-1105-Wxx*	5	0~2.1	10.5	200	USB inlet
SYS1561-11054-Wxx*	5.35	0~2.0	10.7	200	2.1x5.5x11
SYS1561-1006-Wxx*	6	0~1.66	10	200	2.1x5.5x11
SYS1561-1212-Wxx*	12	0~1.0	12	200	2.1x5.5x11

Features:

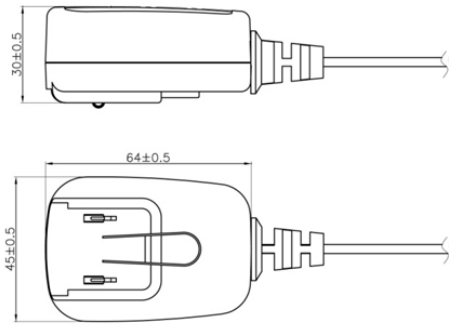
Certified plugs Wxx = W2E - Europe | W3U - England | W2 - USA, Canada, Japan, Taiwan | W2A - Australia | W2C - China | W2K - Korea | W2I - India
 Output connector: standard: 2.1 x 5.5 x 11mm or customer requirement | Regulated Output With Low Ripple Noise | Safety Agency Requirements and EMI/EMS Certified
 Private Label Marking Available | Modified and Custom Design Available | 2 Years Warranty

OUTPUT	
Turn delay	3000 ms max @ AC low line input@output full load
Hold up time	5ms min@AC nominal input@output full load (>half cycle)
Efficiency (Normal)	Meet CEC,DOE,ERP,MEPS Level VI @115v/60HZ,230V/50HZ
Transient response (dv,tmax)	0.3v dv max At AC nominal input loading from 50% load to max load or peak load 8ms tmax Dynamic rise time 10uS max , duty 40mS max , Dynamic load step is slew rate of 0.5A/uS
Power out.Limit	Peak 13W for SYS1561-1212
Burn in limit	Full load 2 Hours
Power consumption	Less than 0.075W ms max. At AC nominal input@output min load
INPUT	
Voltage	(90~264)VAC
Frequency	(47~63)hz
Current	0.5A rms @ AC low line input and DC output full load
Inrush Surge Current (cold start)	40/60A max@power supply cold start,ambient temperature 25°C @115Vac/230Vac nominal AC input
leakage current	0.25mA Max
PROTECTION	
Over current/ Short protection	The power supply will self-protect any output to ground & auto recovery when abnormal circuit faults remove. An output short circuit is defined as any output impedance less than 0.1 ohms.
Over Voltage	The power supply will be auto recovered when faults remove
Input protection	F1:1A 250V Fuse The power supply shall be protected against power line surges and any abnormal condition
No Load protection	The power supply is provided with no load operation to prevent the power supply and system from damage.
Protection class	II, (ITU-T K.21 Surge 6KV on request)

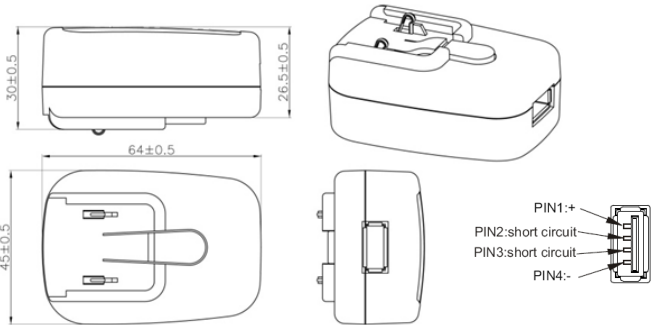
CE	
EMC	2014/30/EU
LVD	2014/35/EU EN 62368-1:2014+A11:2017
SAFETY	
CB CE GS FCC cULus CCC BSMI PSE KC(5Vonly) SAA RCM PSB(1005,1212) EAC BIS(1005,1105) UKCA	
OTHERS	
Dielectric Strength (Hi-pot)	Primary to Secondary:3000VAC 10mA/60S
M.T.B.F	500,000 Calculated Hours at 25°C, by Telcordia SR-332
Cable Length	1370mm (4.5 feet) standard cable or as required
PLD (power line disturbance)	Line power surge Line voltage SAG-more info on request
Cooling method	Natural Convection Cooling
Housing material	PC
Temperature coefficient:	< ±0.5% / °C
ENVIRONMENT	
Temperature	Operating: (0 ~ 40)°C / Storage: (-20 ~ 85)°C
Humidity	Operating: 8%~90%RH / Storage: 5%~95% RH non condensing
WEIGHT	
NW:	72g/pc
GW:	8.8kg/box 13.5kg/box (for USB inlet)
PACKING	
PE plastic bag	80 pcs / 1 box 180 pcs / 1box (for USB inlet)

Mechanical case specification:

1) Cable type

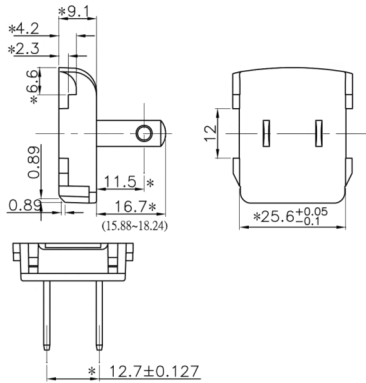


2) USB inlet type

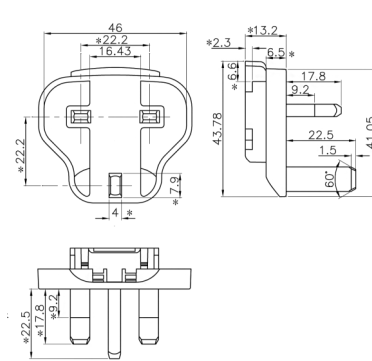


Mechanical specification (country housing):

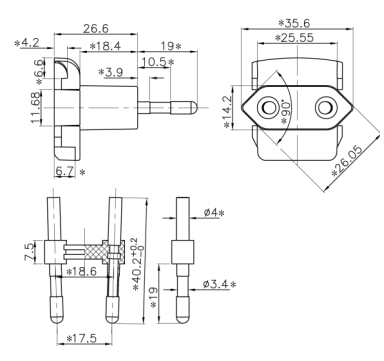
US / Japan type (W2)



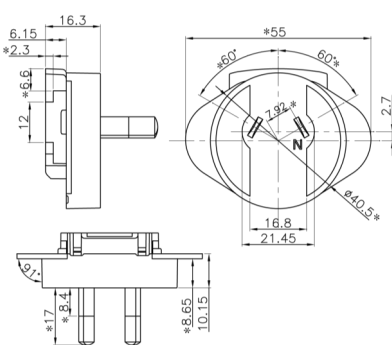
UK type (W3U)



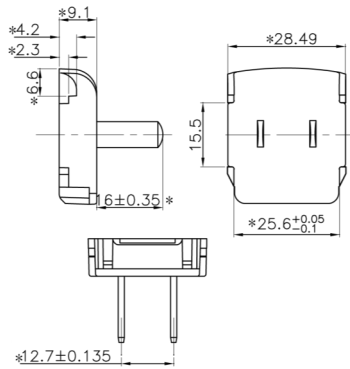
Europe type (W2E)



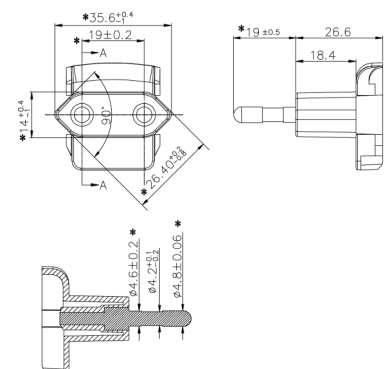
Australia type (W2A)



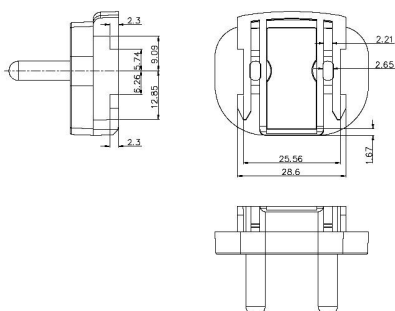
China type (W2C)



Korea type (W2K)



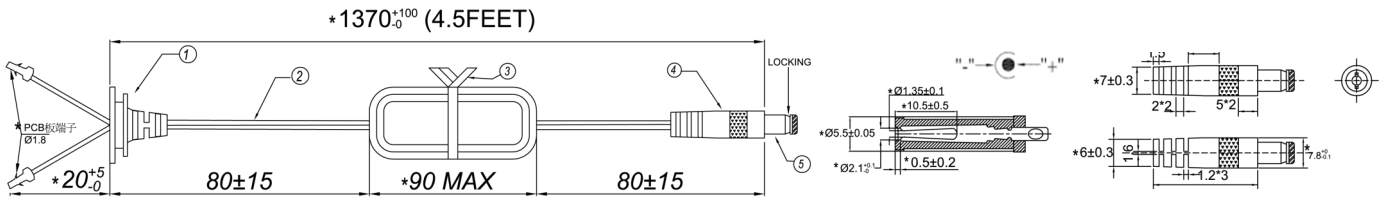
India type (W2I)



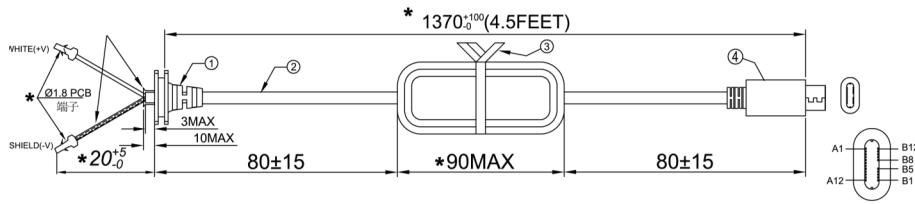
Cable specification:

2468#20*2C – SYS1561-1105-Wxx | 2468#24*2C – SYS1561-1212-Wxx

For 2.1x5.5 connector



For USB C connector



For micro USB connector

